



Quality products. Built to last.

pro series sectionizer

10 matching blade and plunger sets



Single



4-Wedge



6-Wedge



6-Wedge
Apple Corer



3-in-1



8-Wedge



8-wedge
Apple Corer



10-Wedge



6-Slice
(5/16")



Tomato 7-Slice
(1/4")

- ✓ Versatile, 10 different Interchangeable blade cups available
- ✓ Uniform pieces for appealing presentation
- ✓ Quick & easy cleanup – dishwasher safe
- ✓ Crafted in the USA  

Available from your
International Export Agent

SUNKIST

Tel: 800.383.7141

Fax: 909.822.2125

10730 Bell Court

Rancho Cucamonga, CA 91730

www.sunkistequipment.com

MODEL	STYLE		DESCRIPTION
B-201	4-Wedge		4 evenly spaced & cut wedges
B-202	6-Wedge		6 evenly spaced & cut wedges
B-203	6-Slice		6 slices (5/16" thick)
B-204	8-Wedge		8 evenly spaced & cut wedges
B-205	3-in-1		2 halves scored in 3 wedges each
B-206	Apple		6 wedges with center core removed

MODEL	STYLE		DESCRIPTION
B-207	Single		Cuts fruit & vegetables in half
B-209	Tomato		7 slices (1/4" thick) serrated
B-210	10-Wedge		10 evenly spaced & cut wedges
B-212	Apple		8 wedges with center core removed
B-200	Empty		Sectionizer only. No blade cup/plunger

PART DESCRIPTION

B-1	Container – 2.7 Quart
B-2	Lid – 2.7 Quart
B-3	Container & Lid Assembly – 2.7 Quart
B-5	Plunger Assembly
S-11C	Brass Knob
S-11D	Brass Stud

PART BLADE CUPS

S-3B	Blade Cup w/cover (6 wedge) (fits S-9)
S-4B	Blade Cup w/cover (6 slice) (fits S-10)
S-5B	Blade Cup w/cover (4 wedge) (fits S-9)
S-15	Blade Cup w/cover (7 Slice Tomato) (fits S-16)
S-20B	Blade Cup w/cover (10 Wedge) (fits S-21)
S-29B	Blade Cup w/cover (8 Wedge) (fits S-9)
S-30B	Blade Cup w/cover (3-in-1) (fits S-9)
S-32B	Blade Cup w/cover (Apple Corer-6 Wedge) (fits S-33)
S-35	Blade Cup w/cover (Single) (fits S-9)
S-37B	Blade Cup w/cover (Apple Corer-8 Wedge) (fits S-33)

PART PLUNGERS

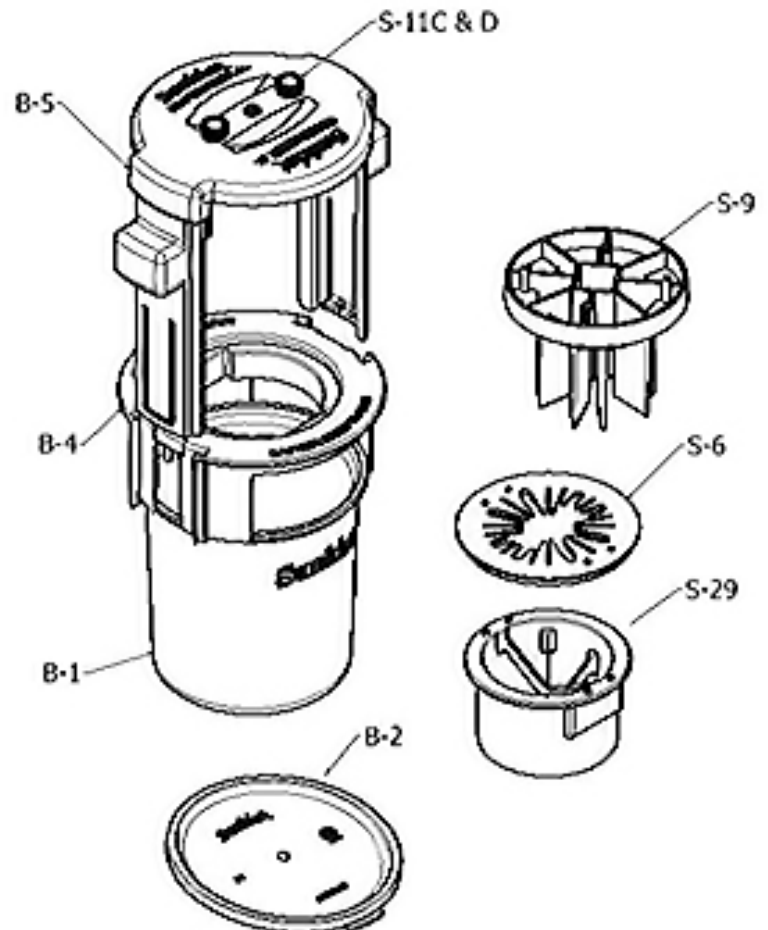
S-9	Plunger Wedger (fits parts S-3, S-5, S-29, S-30, S-35)
S-10	Plunger Slicer (fits S-4)
S-16	Plunger (7 Slice Tomato) (fits S-15)
S-21	Plunger (10 Wedge) (fits S-20)
S-33	Plunger (Apple 6-Wedge & 8-Wedge) (fits S-32)
S-33	Plunger (Apple 6-Wedge & 8-Wedge) (fits S-37B)

PART COVERS

S-6	Wedge Cup cover (sold w/S-3, S-5, S-29, S-30, S-32, S-35)
S-7	Slicer Cup cover (sold w/S-4)
S-19	Wedge Cup Cover (10 Wedge) (sold w/S-20)

PART SETS AND ACCESSORIES

S-17	7 Slice Tomato Set (S-15 & S-16)
S-22	10 Wedge Set (S-20 & S-21)
S-34	Apple Corer-6 Wedge Set (S-32 & S-33)
S-38K	Apple Corer-8 Wedge Set (S-37B & S-33)
S-31	Plastic Production Stand



SPECIFICATION

Listed by NSF International	
Shipping Weight	5 pounds
Net Weight	4 pounds
Overall Dimensions	9 1/2" high, 9 1/2" wide, 7 5/8" deep
Cube	0.47
Carton Size	10" high x 10" wide x 8" deep