

Pro Series Juicer

Sunkist
FOODSERVICE EQUIPMENT

Quality products. Built to last.



MADE IN
THE USA



Proven performance juicers



INTERMITTENT USE

Pro Series™ Juicer

- Compact size—Perfect for Back of Bar
- 11³/₄" (30cm) tall, 7¹/₂" (19cm) diameter
- Able to extract up to 10 gallons (37 liters) per hour
- Quick & easy cleaning (3 lift-off dishwasher safe parts)
- Quiet, high torque motor
- Voltage: AC 115/60m AC 230/50, AC 230/60
- One-year warranty

ACCESSORIES



Sunkist
FOODSERVICE EQUIPMENT

See your preferred FSE Distributor

Sunkist Foodservice Equipment
10730 Bell Court
Rancho Cucamonga
CA 91730

AQ AutoQuotes
from revalorize

 **800.383.7141**

 **sunkistequipment.com**

Pro Series Juicer Information

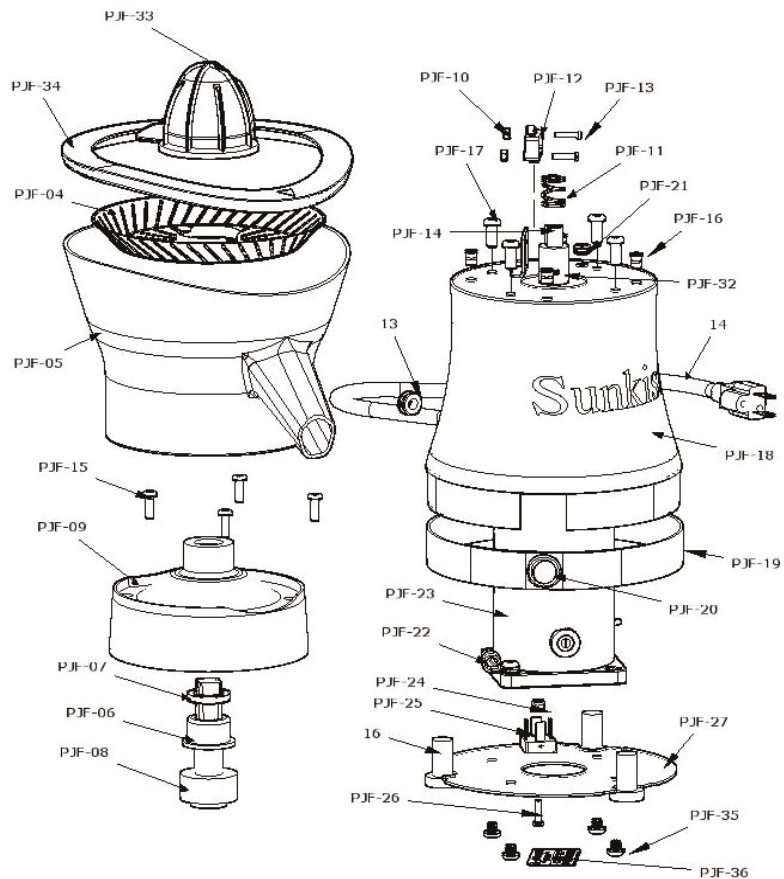
Effective: June 2024



MODEL	COLOR	DESCRIPTION	MODEL	COLOR	DESCRIPTION
PJF-A1	Black	115V 50/60hz 900RPM	PJF-A1OR	Orange	115V 50/60hz 900RPM
PJF-B1	Black	230V 50/60hz 900RPM	PJF-B1OR	Orange	230V 50/60hz 900RPM

PART DESCRIPTION

PJF-04	Strainer
PJF-05	Dome Spout Assembly
PJF-05OR1	Dome Spout Assembly Orange
PJF-06	Bearing, Delrin
PJF-07	Rotary Seal
PJF-08	Female Coupling
PJF-09	Dome Covering
PJF-09OR1	Dome Covering Orange
PJF-10	4-40 Nylock Nut
PJF-11	Spring
PJF-12	Micro Switch
13	Electrical Cord Bushing
PJF-13	4-40 x .625 Screw
14	Electrical Cord
PJF-14	Male Coupling
PJF-15	10-32 x .625 Screw
16	Rubber Feet (3)
PJF-16	10-32 Rivet Nut
PJF-17	1/4-20 x .625 Screw
PJF-18	Motor Housing
PJF-19	Trim Ring
PJF-19OR1	Trim Ring Orange
PJF-20	On/Off Switch
PJF-21	Upper Grommet
PJF-22	Wire Clip
PJF-23A	Motor, 115/60V
PJF-23B	Motor, 230/50V
PJF-23C	Motor, 230/60V
PJF-24	6-32 Nylock Nut
PJF-25	Power Rectifier
PJF-26	6-32 x .625 Screw
PJF-27	Base Plate
PJF-32	Roll Pin 1/8"
PJF-33	Extracting Bulb
PJF-34	Flexible Trim Ring
PJF-35	1/4-20 x 1/4 Screw
PJF-36	Data Plate



SPECIFICATION

Chrome plated steel housing.	
Corrosion proof plasticvv dome, spout & bowl support	
Listed by UL, CUL, CE, CCC, EPH	
Shipping Weight	13 lbs.
Net Weight	11½ lbs.
Overall Dimensions	11¾" tall, 7½" diameter
Carton Size	9½" W x 9¼" L x 13" H
Motor	Hi-Torque 18.9 in-lbs., 900 RPM