

Pro Series Sectionizer



Quality products. Built to last.



MADE IN THE USA



Versatile, Space-Saving and Cost Effective

Pro Series™ Sectionizer

The Pro Series™ Sectionizer allows you to effortlessly slice, halve, or wedge a wide variety of fruits and vegetables, using our many interchangeable blade cups and plungers.

Simply insert either your whole or cut-to-fit fruit or vegetable into the blade cup, then push down on the plunger. The cut produce falls into the 2.7 quart container below, cutting down your food preparation time, and ensuring easy clean up.

- Versatile, 10 different interchangeable blades
- Uniform pieces for appealing presentation
- Quick and easy cleanup - dishwasher safe
- Designed for back of bar application

ACCESSORIES

Container - 2.7 qt.



See your preferred FSE Distributor

Sunkist Foodservice Equipment
10730 Bell Court
Rancho Cucamonga
CA 91730



800.383.7141



sunkistequipment.com

Pro Series Sectionizer Information

Effective: June 2024



MODEL	STYLE		DESCRIPTION
I-201	4-Wedge		4 evenly spaced & cut wedges
I-202	6-Wedge		6 evenly spaced & cut wedges
I-203	6-Slice		6 slices (5/16" thick)
I-204	8-Wedge		8 evenly spaced & cut wedges
I-205	3-in-1		2 halves scored in 3 wedges each
I-206	Apple		6 wedges with center core removed

MODEL	STYLE		DESCRIPTION
B-207	Single		Cuts fruit & vegetables in half
B-209	Tomato		7 slices (1/4" thick) serrated
B-210	10-Wedge		10 evenly spaced & cut wedges
B-212	Apple		8 wedges with center core removed
B-200	Empty		Sectionizer only. No blade cup/plunger

ART DESCRIPTION

I-1	Container – 2.7 Quart
I-2	Lid – 2.7 Quart
I-3	Container & Lid Assembly – 2.7 Quart
I-5	Plunger Assembly
I-11C	Brass Knob
I-11D	Brass Stud

ART BLADE CUPS

I-3B	Blade Cup w/cover (6 wedge) (fits S-9)
I-4B	Blade Cup w/cover (6 slice) (fits S-10)
I-5B	Blade Cup w/cover (4 wedge) (fits S-9)
I-15	Blade Cup w/cover (7 Slice Tomato) (fits S-16)
I-20B	Blade Cup w/cover (10 Wedge) (fits S-21)
I-29B	Blade Cup w/cover (8 Wedge) (fits S-9)
I-30B	Blade Cup w/cover (3-in-1) (fits S-9)
I-32B	Blade Cup w/cover (Apple Corer-6 Wedge) (fits S-33)
I-35	Blade Cup w/cover (Single) (fits S-9)
I-37B	Blade Cup w/cover (Apple Corer-8 Wedge) (fits S-33)

ART PLUNGERS

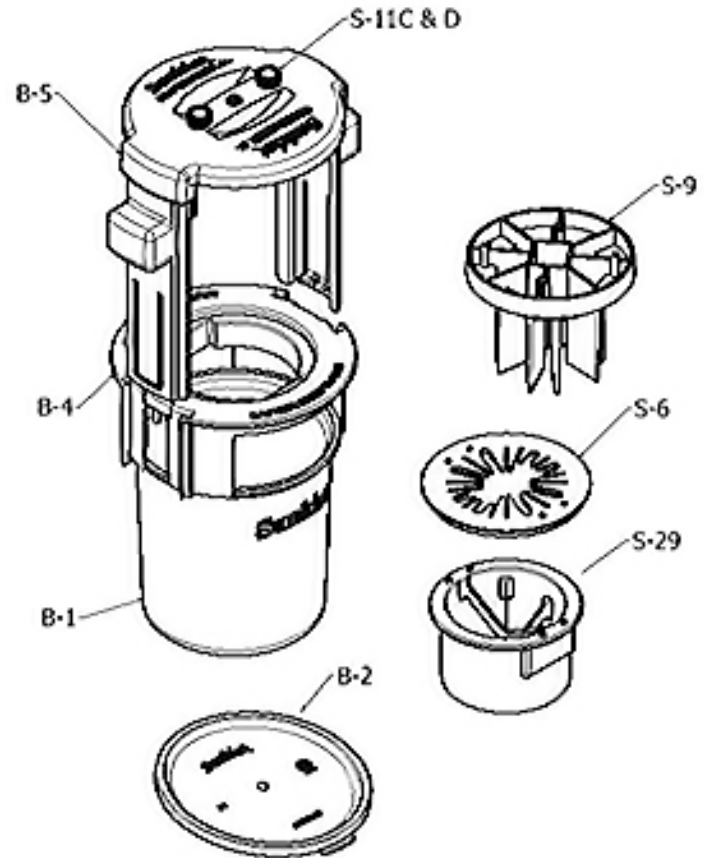
I-9	Plunger Wedger (fits parts S-3, S-5, S-29, S-30, S-35)
I-10	Plunger Slicer (fits S-4)
I-16	Plunger (7 Slice Tomato) (fits S-15)
I-21	Plunger (10 Wedge) (fits S-20)
I-33	Plunger (Apple 6-Wedge & 8-Wedge) (fits S-32)
I-33	Plunger (Apple 6-Wedge & 8-Wedge) (fits S-37B)

ART COVERS

I-6	Wedger Cup cover (sold w/S-3, S-5, S-29, S-30, S-32, S-35)
I-7	Slicer Cup cover (sold w/S-4)
I-19	Wedger Cup Cover (10 Wedge) (sold w/S-20)

ART SETS AND ACCESSORIES

I-17	7 Slice Tomato Set (S-15 & S-16)
I-22	10 Wedge Set (S-20 & S-21)
I-34	Apple Corer-6 Wedge Set (S-32 & S-33)
I-38K	Apple Corer-8 Wedge Set (S-37B & S-33)
I-31	Plastic Production Stand



SPECIFICATION

Listed by NSF International	
Shipping Weight	5 pounds
Net Weight	4 pounds
Overall Dimensions	9 1/2" high, 9 1/2" wide, 7 5/8" deep
Cube	0.47
Carton Size	10" high x 10" wide x 8" deep