

# Commercial Sectionizer

**Sunkist**  
FOODSERVICE EQUIPMENT

Quality products. Built to last.



MADE IN  
THE USA



## Versatile, Space-Saving and Cost Effective



### S-Series Commercial Sectionizer

The extra sharp interchangeable blades of the Commercial Series Sectionizer allows you to easily slice citrus fruits, core and wedge apples and pears, slice tomatoes and mushrooms for sandwiches, or wedge them for salads.

- Versatile, 10 different interchangeable blades
- Uniform pieces for appealing presentation
- Quick and easy cleanup - dishwasher safe

**Sunkist**  
FOODSERVICE EQUIPMENT

See your preferred FSE Distributor

Sunkist Foodservice Equipment  
10730 Bell Court  
Rancho Cucamonga  
CA 91730

**AQ** AutoQuotes  
from revalize

800.383.7141

[sunkistequipment.com](http://sunkistequipment.com)

# Commercial Sectionizer Information

Effective: June 2024



MODEL	STYLE		DESCRIPTION	MODEL	STYLE		DESCRIPTION
i-101	4-Wedge		4 evenly spaced & cut wedges	S-107	Single		Cuts fruit & vegetables in half
i-102	6-Wedge		6 evenly spaced & cut wedges	S-109	Tomato		7 slices (1/4" thick) serrated
i-103	6-Slice		6 slices (5/16" thick)	S-110	10-Wedge		10 evenly spaced & cut wedges
i-104	8-Wedge		8 evenly spaced & cut wedges	S-112	Apple		8 wedges with center core removed
i-105	3-in-1		2 halves scored in 3 wedges each	S-100	Empty		Sectionizer only. No blade cup/plunger
i-106	Apple		6 wedges with center core removed				

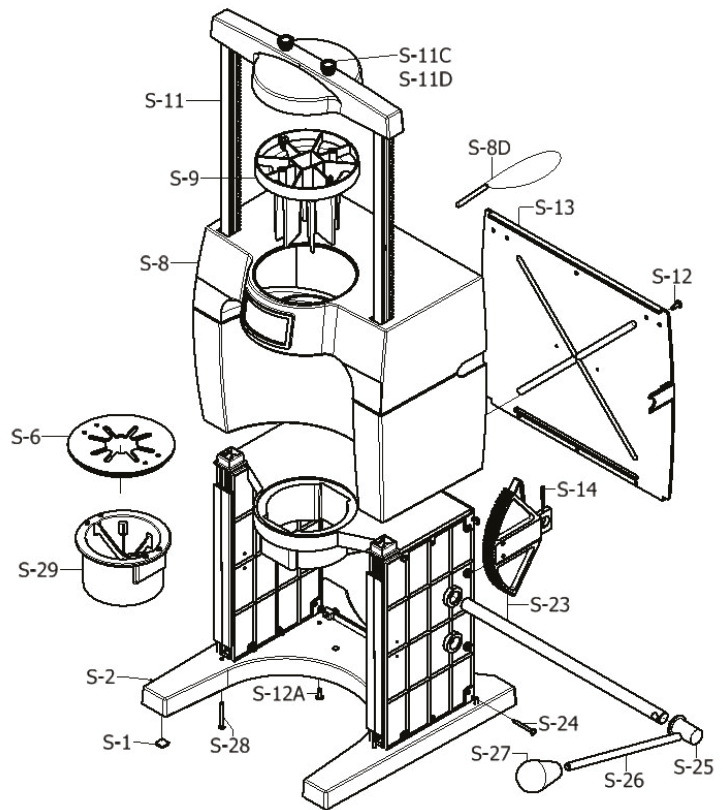
ART	DESCRIPTION
i-2	Base Assembly
i-8	Outer Shell
i-8D	Pin & Thread Assembly
i-11	Crossbar Assembly
i-11C	Brass Knob
i-11D	Brass Stud
i-12	Back Screw #8 x 1/2" (set of 8)
i-13	Back Cover
i-14	Spring Pin (set of 2)
i-23	Gears & Shaft Set
i-24	Base Side Screw 6/32 x 1 1/2" (set of 10)
i-25	Plastic Shaft Cover
i-26	Handle
i-27	Knob
i-28	Bottom Screw #8 x 1 1/2" (set of 4)

ART	BLADE CUPS
i-3B	Blade Cup w/cover (6 wedge) (fits S-9)
i-4B	Blade Cup w/cover (6 slice) (fits S-10)
i-5B	Blade Cup w/cover (4 wedge) (fits S-9)
i-15	Blade Cup w/cover (7 Slice Tomato) (fits S-16)
i-20B	Blade Cup w/cover (10 Wedge) (fits S-21)
i-29B	Blade Cup w/cover (8 Wedge) (fits S-9)
i-30B	Blade Cup w/cover (3-in-1) (fits S-9)
i-32B	Blade Cup w/cover (Apple Corer-6 Wedge) (fits S-33)
i-35	Blade Cup w/cover (Single) (fits S-9)
i-37B	Blade Cup w/cover (Apple Corer-8 Wedge) (fits S-33)

ART	PLUNGERS
i-9	Plunger Wedger (fits parts S-3, S-5, S-29, S-30, S-35)
i-10	Plunger Slicer (fits S-4)
i-16	Plunger (7 Slice Tomato) (fits S-15)
i-21	Plunger (10 Wedge) (fits S-20)
i-33	Plunger (Apple 6-Wedge & 8-Wedge) (fits S-32)
i-33	Plunger (Apple 6-Wedge & 8-Wedge) (fits S-37B)

ART	COVERS
i-6	Wedger Cup cover (sold w/S-3, S-5, S-29, S-30, S-32, S-35)
i-7	Slicer Cup cover (sold w/S-4)
i-19	Wedger Cup Cover (10 Wedge) (sold w/S-20)

ART	SETS AND ACCESSORIES
i-17	7 Slice Tomato Set (S-15 & S-16)
i-22	10 Wedge Set (S-20 & S-21)
i-34	Apple Corer-6 Wedge Set (S-32 & S-33)
i-38K	Apple Corer-8 Wedge Set (S-37B & S-33)
i-31	Plastic Production Stand



SPECIFICATION	
Listed by NSF International	
Shipping Weight	15 pounds
Net Weight	13 pounds
Overall Dimensions	15 1/2" high, 15 1/4" wide, 13 1/8" deep
Cube	2.32
Carton Size	17 1/2" high x 17 1/2" wide x 13 1/2" deep